

## E5

## ELECTROMECHANICAL OPERATOR FOR SWING GATES



- **A MODEL FOR EVERY NEED.**

→ Multiple installation possibilities thanks to the optional articulated arms (BLE5 or BSE5) which allow the use of the operator on a pillar or in very tight spaces.

- **SAFE USE.**

→Crushing prevention guaranteed by the adjustable mechanical clutch.

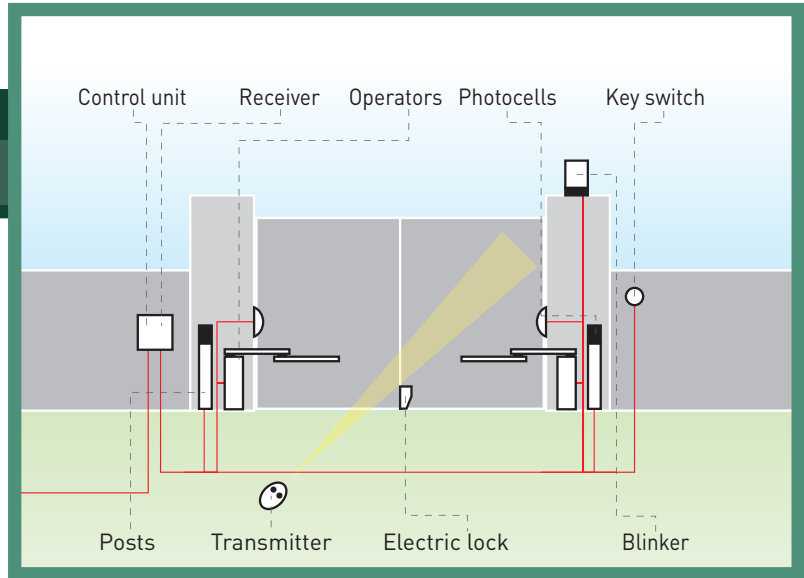
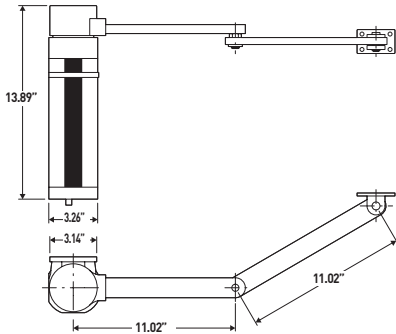
REFERENCE	DESCRIPTION	VOLTAGE	LEAF WEIGHT	LEAF LENGTH
P930003 00002	E5 120 V	120 V	up to 440 lb (~200 kg)	up to 6' 6'' (2 m)

## TECHNICAL FEATURES

E5	
CONTROL PANEL	RIGEL 4 UL/CSA (suggested)
REVERSIBLE/IRREVERSIBLE OPERATOR	reversible
POWER SUPPLY	120 V, 60 Hz single-phase
ABSORBED POWER	0.3 hp (200 W)
THERMAL PROTECTION	integrated
OPENING OR CLOSING TIME	22 s
IMPACT REACTION	mechanical clutch
LOCK	electric lock
MANUAL RELEASE	reversible operator
OPERATING CYCLE	semi intensive use
ENVIRONMENTAL CONDITIONS	from 14 °F (-10°C) to 140 °F (+ 60°C)
DEGREE OF PROTECTION	IP44
OPERATOR WEIGHT	17 lb (~8 kg)
DIMENSIONS	see drawing next page



DIMENSIONS



ACCESSORIES



**D113236 00003 RIGEL 4 UL/CSA**

Control panel for one or two single phase 120V operators up to 0.5 hp (375 W) each.

- This control panel requires the torque setting to be on the operators.
  - 2 and 4 steps logic with timer to close and hold-to-run control.
  - Adjustable delay on opening and on closing.
  - Self-diagnosis through LED.
  - Quick wiring through plug-in terminal strips.
  - Plug-in connector for receiver.
- UL/CSA approved.



**D113693 00001 RIGEL 5 120 V**

Control panel for one or two single-phase 120 V operators up to 0.8 hp (600 W) each.

- Easy programming and diagnosis through LCD display.
- Torque and brakesetting.
- 3 and 4 steps logic with timer to close and hold-to-run control.
- Adjustable delay on opening and on closing.
- Quick wiring through plug-in terminal strips.
- Built-in rolling code receiver and plug-in connector for second receiver.



**D113050/110 - SPL 120 V**

Pre-heating board for 1 or 2 LUX, SUB, P4,5-P7 and E5 operators. Can be fitted inside control panels RIGEL 4 UL/CSA, ALCOR UL/CSA.



**D111704 - SSR5**

Traffic light and preheating board for RIGEL 5 control panel.



**P123001 00019 EBP 24 120/24 V**

120/24 Vac gravity electric lock.



**P123001 00004 - EBP 120**

120 Vac gravity electric lock.



**D121017 - ECB SX**

Left-hand horizontal electric lock. Also available in right-hand and vertical versions.



**D111501 - ME 120 V**

120 V electric lock interface for ECB lock for ARIES UL and ALCOR UL boards.



**N733008 - BLE 5**

Complete extended arm.



**N728011 - BSE 5**

Slide lever.

For system composition and installation refer to the regulations in force in the country where the system is being installed. The indicated data are not binding. BFT reserves the right to make modifications without prior notice.