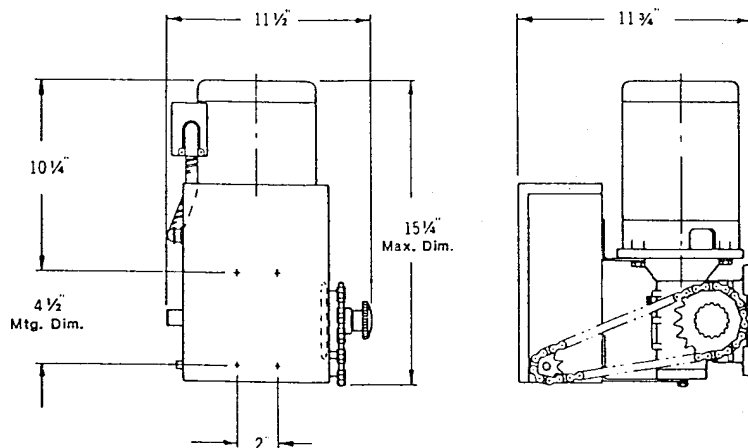


Gearhead Jackshaft Operator

Model GJ



Manufactured in U.S.A.

Approximate shipping weight 50 lbs.

ARCHITECTURAL SPECIFICATIONS:

"GJ" OPERATOR

SUPPLY POWERMASTER MODEL "GJ" GEARHEAD DOOR OPERATOR(S) FOR USE ON ROLLING SERVICE DOORS, ROLLING GRILLES AND COUNTER SHUTTERS. SUPPLY POWER TO BE _____ VOLTS, _____ Ø. MOTOR SHALL BE HIGH STARTING TORQUE, WITH FULL OVERLOAD PROTECTION. MOTOR SHALL BE REMOVABLE WITHOUT AFFECTING LIMIT SWITCH ADJUSTMENT. PRIMARY SPEED REDUCTION SHALL BE BY MEANS OF AN INDUSTRIAL GEAR BOX WITH BRONZE WORM GEAR IN AN OIL BATH. THE FINAL DRIVE SHALL BE A ROLLER CHAIN AND SPROCKET, MINIMUM CHAIN SIZE #41. THE DRIVE SHAFT SHALL BE A MINIMUM 3/4" DIAMETER AND SUPPORTED BY ROLLER BEARINGS. AN ADJUSTABLE TORQUE LIMITER SHALL BE PROVIDED ON OUTPUT SHAFT TO PREVENT OVERLOAD DAMAGE TO DOOR OR OPERATOR MECHANISM. A MANUAL DISCONNECT SHALL BE PROVIDED TO DISENGAGE OPERATOR FOR MANUAL OPERATION OF THE DOOR. LIMIT SWITCHES TO BE CHAIN DRIVEN ROTARY TYPE AND SHALL NOT BE AFFECTED BY MANUAL OPERATION OF THE DOOR.

CONTROL CIRCUIT OF THE OPERATOR SHALL CONSIST OF A FULL VOLTAGE, ACROSS-THE-LINE REVERSING CONTACTOR, SWITCHES AND A CLEARLY MARKED, PRE-WIRED TERMINAL STRIP SHALL BE PROVIDED FOR ALL FIELD CONNECTIONS. CONTROL CIRCUIT VOLTAGE TO BE 24 VOLT MAXIMUM, AND SHALL BE DESIGNED FOR CONNECTION OF A RADIO CONTROL, SINGLE BUTTON STATION AND AN OBSTRUCTION SENSING DEVICE WITHOUT ADDITIONAL WIRING MODIFICATIONS.

MAXIMUM RATINGS:

MOTOR HORSEPOWER: 1/3, 1/2
 POWER REQUIREMENT: 115V, 208-230-1Ø
 208-230, 460 575-3Ø
 WIRED FOR RADIO CONTROL, SINGLE BUTTON
 CONTROL, 3 BUTTON CONTROL AND SENSING EDGE

AVAILABLE OPTIONS:

AUXILIARY LIMIT SWITCHES
 ALL TYPES OF SPECIALIZED CONTROL SYSTEMS
 (CONSULT FACTORY)

DISTRIBUTED BY:



GJ

INSTALLATION MANUAL

IMPORTANT: KEEP FOR FUTURE REFERENCE

THE FOLLOWING INFORMATION SHOULD BE RECORDED AT TIME OF INSTALLATION:

DATE OF INSTALLATION: _____

SERIAL# _____

OPERATOR MODEL: GJ

WIRING DIAGRAM # _____

THE "OPERATOR MODEL" AND "SERIAL#" ARE LOCATED ON THE ELECTRICAL ENCLOSURE COVER. WIRING DIAGRAM IS LOCATED INSIDE COVER. DIAGRAM # IS AT LOWER RIGHT- HAND CORNER.

THE ABOVE DATA SHOULD BE GIVEN IN ALL CORRESPONDENCE REGARDING THIS OPERATOR TO ASSURE FAST SERVICE WHEN ORDERING PARTS OR REQUESTING INFORMATION.

GJmax

GJ ELECTRIC DOOR OPERATOR

INSTALLATION

1. Attach mounting clip to operator with (4) 5/16 x 1-3/4 bolts, lockwashers, and nuts.
2. Install operator and mounting clip assembly to door bracket plate (mounting clip supplied by door manufacturer).
3. Install door shaft sprocket and key. Align with drive sprocket of clutch assembly and tighten set screw.
4. Install drive chain between door shaft sprocket and clutch assembly drive sprocket. Shorten chain if necessary. Adjust tension as shown and tighten all bolts.

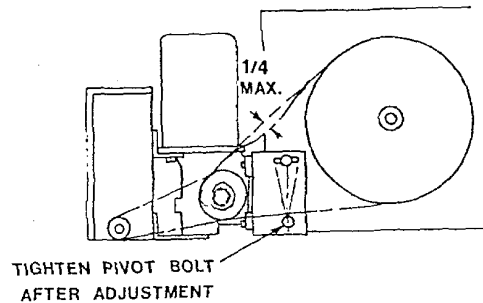
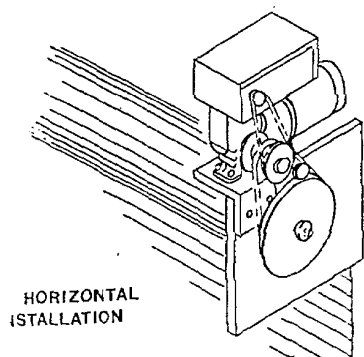
Clutch Adjustment

****Exercise extreme caution with chains and other moving parts****

1. With door closed, tighten clutch adjustment knob (A) 1/4 turn after resistance is felt.
2. Open door and check adjustment. If clutch slips: STOP OPERATION and tighten knob 1/2 turn.

Manual Operation

By loosening adjustment knob, clutch can be disengaged for manual operation.



RH VERTICAL INSTALLATION

CONNECTING TO POWER SUPPLY:

Consult local electrical codes before proceeding with permanent installation.

*****WARNING***:** Exercise caution when operating machine. The drive chain and limit drive chain are exposed, and when turning, could cause injury. Wiring diagrams are found inside the electrical enclosure cover. Connect operator to properly grounded supply (green colored slotted head screw is supplied in control box), and install control stations as required.

NOTE: THIS UNIT MUST BE PROPERLY GROUNDED!

On three-phase units, make certain that operator rotates in the correct direction. If the direction is wrong, the limit switches will not function; and damage will occur. It is recommended that the door be moved manually to a mid-position before turning on power, so that it may be stopped before damage occurs if rotation is incorrect.

If direction of rotation is wrong, reverse any two of the three incoming power supply leads to correct rotation.

After wiring has been checked and operator is running properly, limits will probably require re-adjustment (see "limit adjustment" sheet).

CONNECTION OF A SAFETY EDGE DEVICE:

A separate 24v. electrical circuit is provided for the connection of a safety edge device. Any such device that uses a normally open contact may be connected to terminals #8 and #9, on the low voltage terminal block. When the safety device is actuated (when the door comes in contact with an object during downward travel), the circuit will cause the motor to stop and reverse the door to the fully open position. In addition, there is a cut-off limit switch in the circuit that will de-activate the safety device during the last few inches of downward travel.

THE CONTROL STATION MUST BE LOCATED SO THAT THE OPERATION OF THE DOOR MAY BE OBSERVED BY THE PERSON OPERATING THE DOOR. Mount control station and warning label (see sample Ⓢ) within sight of doorway.

